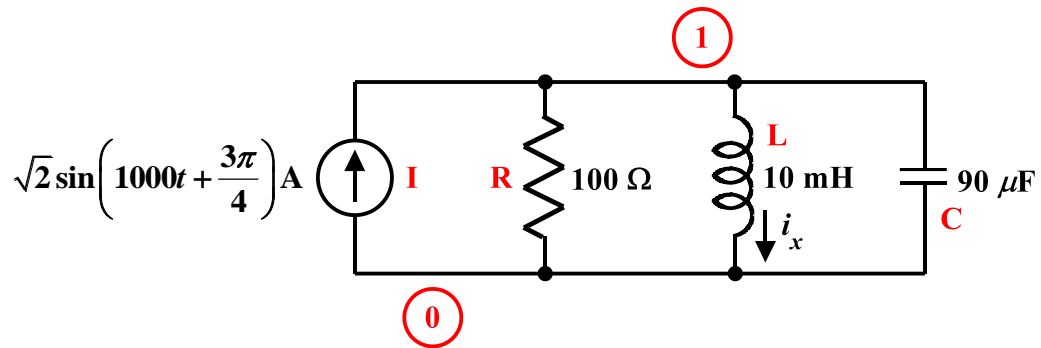


EE 3340
Homework Problem #012

a. For the circuit shown below:



the following LTspice netlist can be used determine the magnitude and phase angle of the steady-state AC part of i_x :

```
I 0 1 AC 1.414213562 45
R 1 0 100
L 1 0 10m
C 1 0 90u
.AC LIN 1 159.1549431 159.1549431
```

Run the simulation and identify the desired results in the output file.

b. Use the phasor analysis method to find the analytical solution, and verify that the LTspice result is correct.